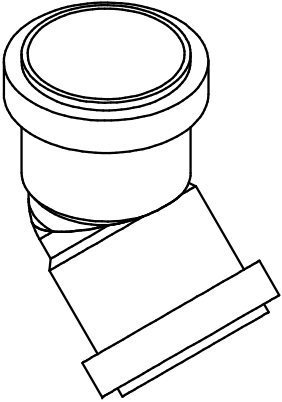
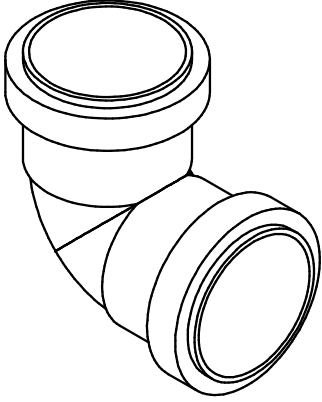


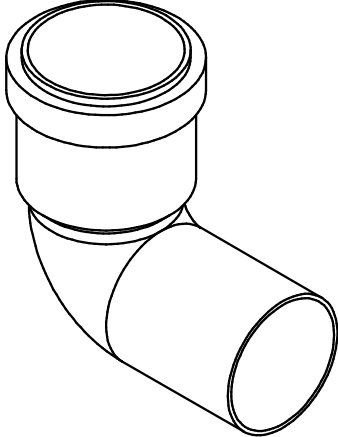
DOWNPIPE CONNECTOR KIT PARTS LIST



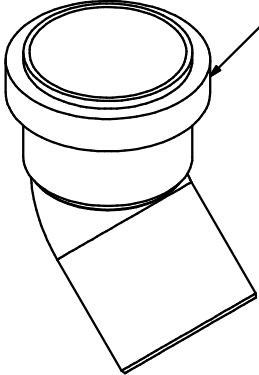
PP001_026
45 DEGREE BEND - 1 OFF



PP001_027
90 DEGREE BEND - 2 OFF

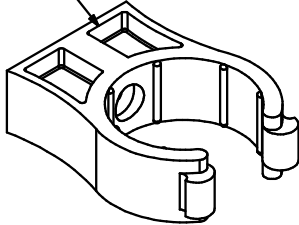


PP001_029
90 DEGREE SHOE - 1 OFF

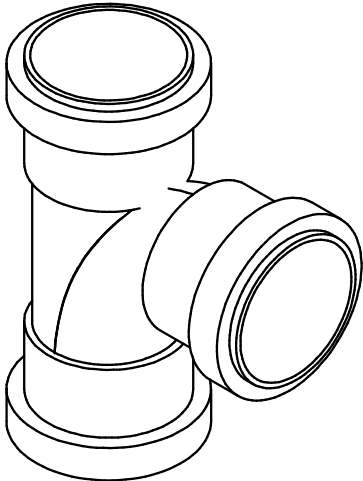


PP001_002
45 DEGREE SHOE - 2 OFF

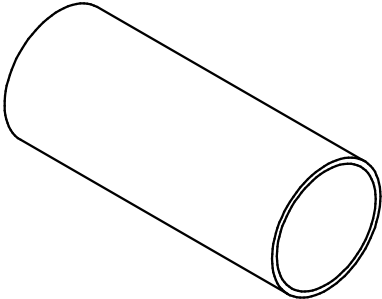
REUSE EXISTING PARTS
FROM YOUR STRUCTURE



PP001_003
DOWNPIPE CLIP - 2 OFF



PP001_028
T CONNECTOR - 1 OFF



DOWNPIPES

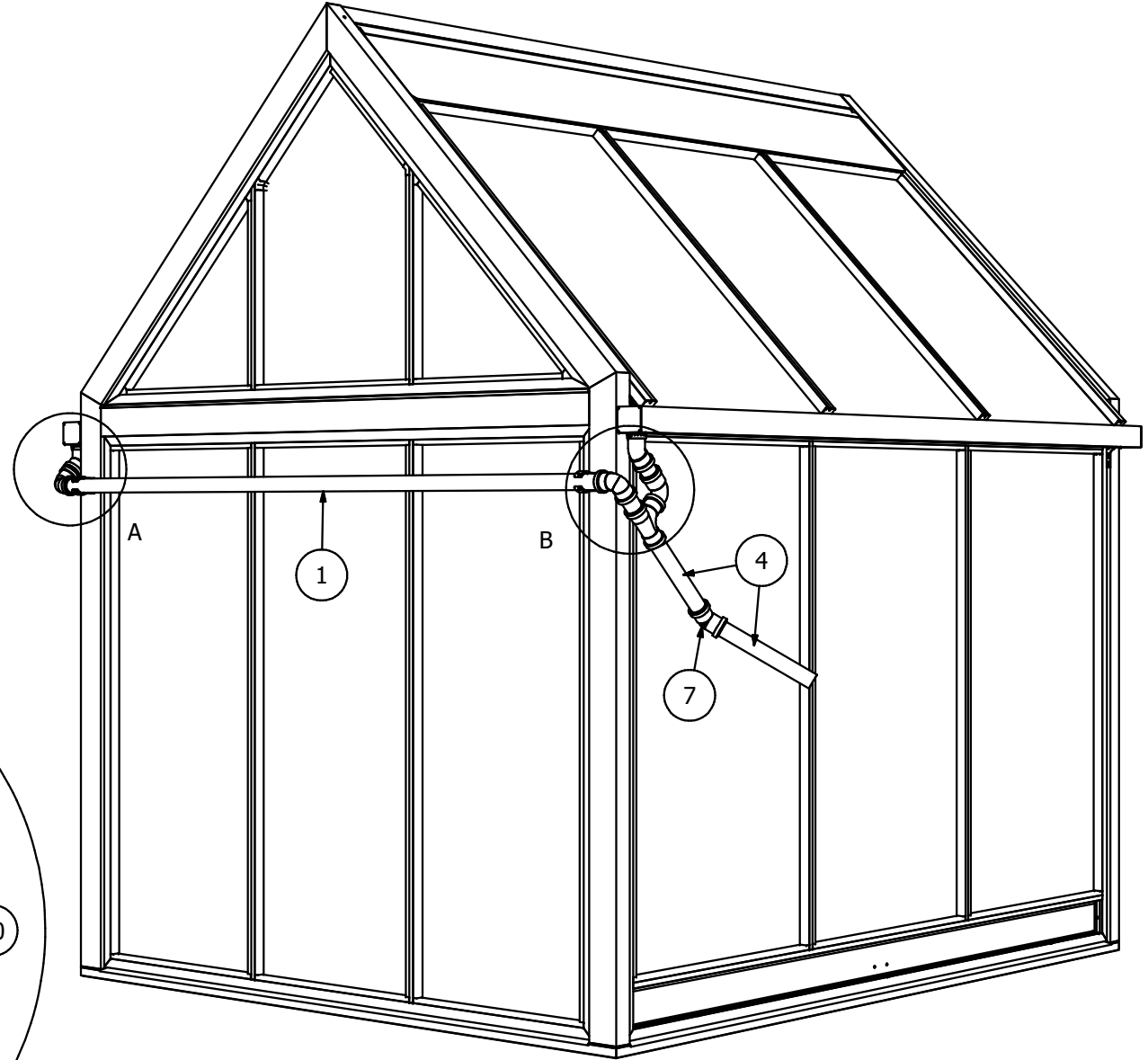
- 65mm - 2 OFF
- 100mm - 2 OFF
- 300mm - 2 OFF

AND DEPENDING ON YOUR STRUCTURE:

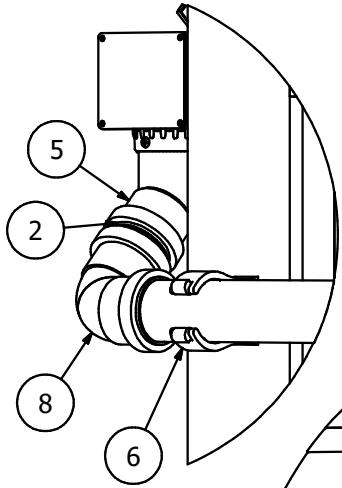
- 2045mm - 1 OFF 6 HOUSE
- 2457mm - 1 OFF 8 HOUSE
- 3237mm - 1 OFF 10 HOUSE

| ITEM | PART NUMBER | DESCRIPTION |
|------|-------------|----------------|
| 1 | AL015_150 | Long Pipe |
| 2 | AL015_155 | 65mm Pipe |
| 3 | AL015_156 | 100mm Pipe |
| 4 | AL015_157 | 300mm Pipe |
| 5 | PP001_002 | 45 Degree Shoe |
| 6 | PP001_003 | DownPipe Clip |
| 7 | PP001_026 | 45 Degree Bend |
| 8 | PP001_027 | 90 Degree Bend |
| 9 | PP001_028 | T Connector |
| 10 | PP001_029 | 90 Degree Shoe |

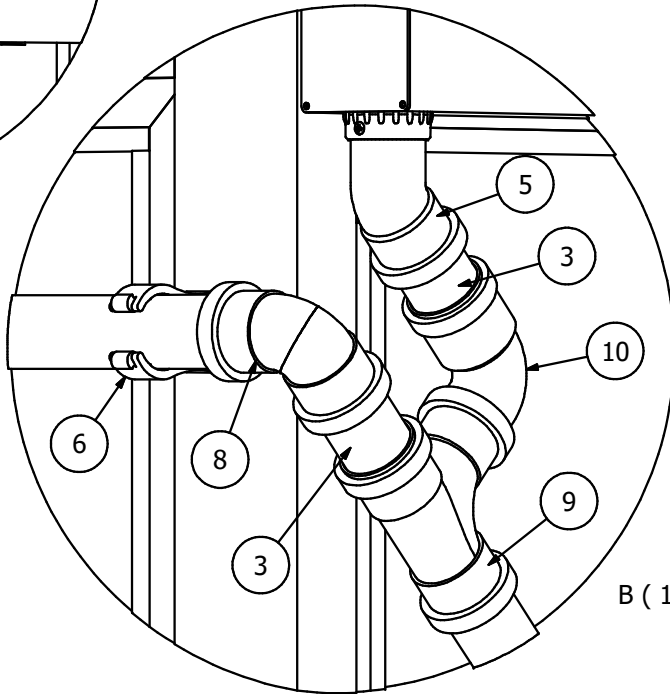
FOR WATERBUTT TO SIDE OF GREENHOUSE



A (1 : 5)



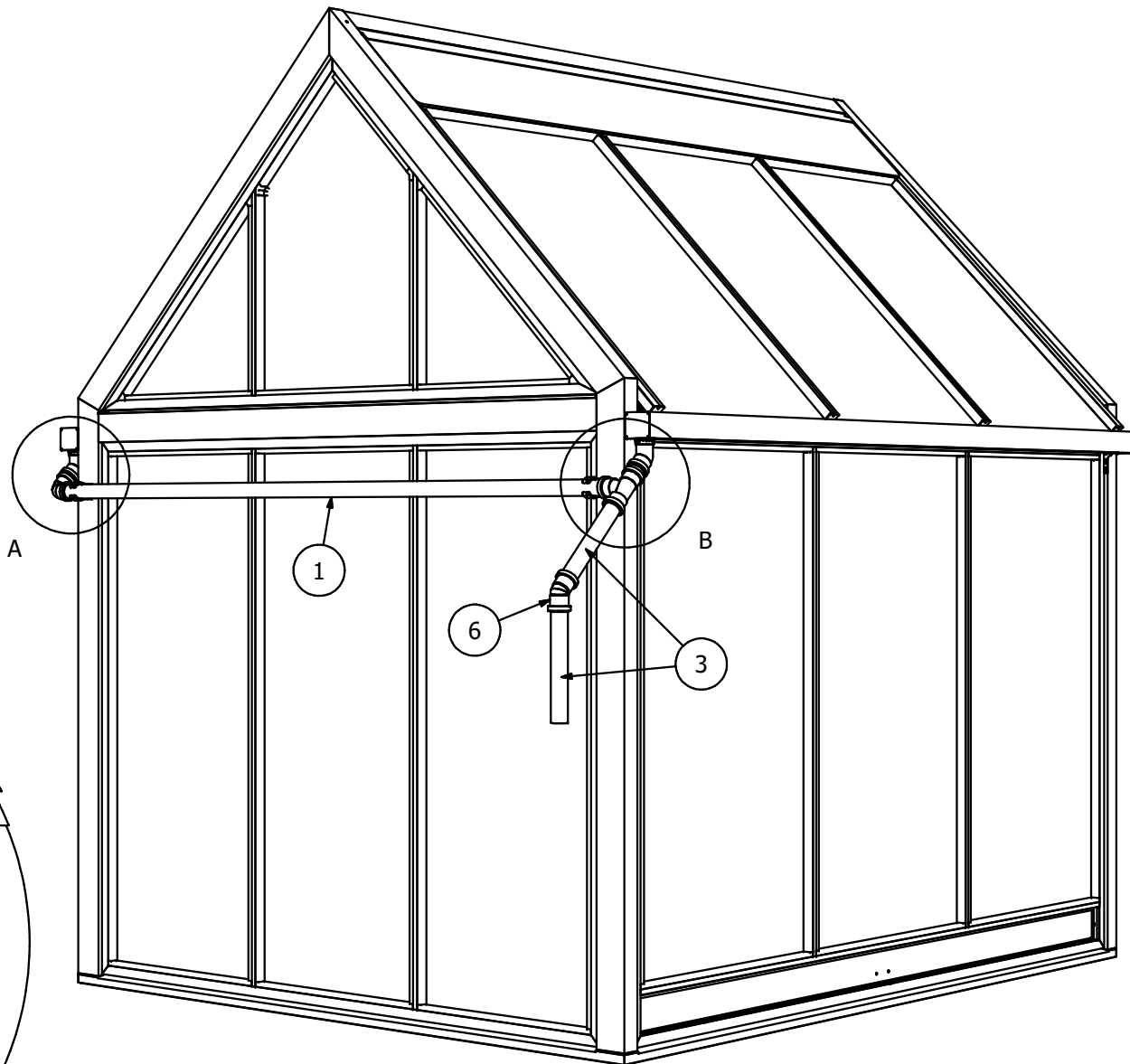
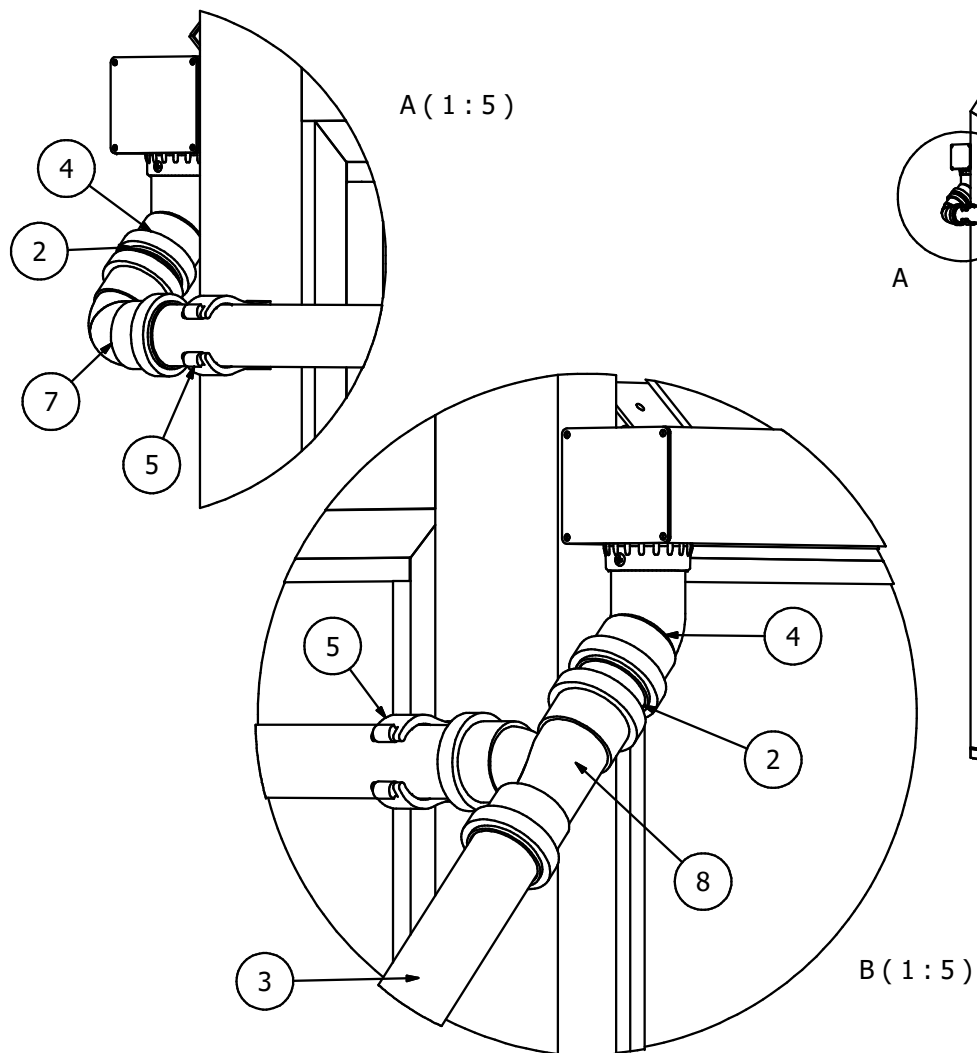
B (1 : 5)



ASSEMBLE COMPONENTS AS SHOWN, OR OPPOSITE TO SHOWN IF WATERBUTT IS ON THE OTHER SIDE. CUT DOWNPIPES (4) AS REQUIRED.

| ITEM | PART NUMBER | DESCRIPTION |
|------|-------------|----------------|
| 1 | AL015_150 | Long Pipe |
| 2 | AL015_155 | 65mm Pipe |
| 3 | AL015_157 | 300mm Pipe |
| 4 | PP001_002 | 45 Degree Shoe |
| 5 | PP001_003 | DownPipe Clip |
| 6 | PP001_026 | 45 Degree Bend |
| 7 | PP001_027 | 90 Degree Bend |
| 8 | PP001_028 | T Connector |

FOR WATERBUTT BEHIND GREENHOUSE



DEPENDING ON YOUR WATERBUTT POSITION, ASSEMBLE COMPONENTS AS SHOWN, OR OPPOSITE TO SHOWN IF WATERBUTT IS ON THE OTHER SIDE. THEN CUT DOWNPIPES (3) AS REQUIRED.